



RELAMPABLE

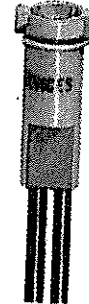
### MODEL 4100 $\frac{5}{16}$ " DIA.—KEYED

**FEATURES** **Mounting:** For rear insertion in .06 (1.5) thick plastic panels or .050/.055 (1.27/1.40) thick metal panels.

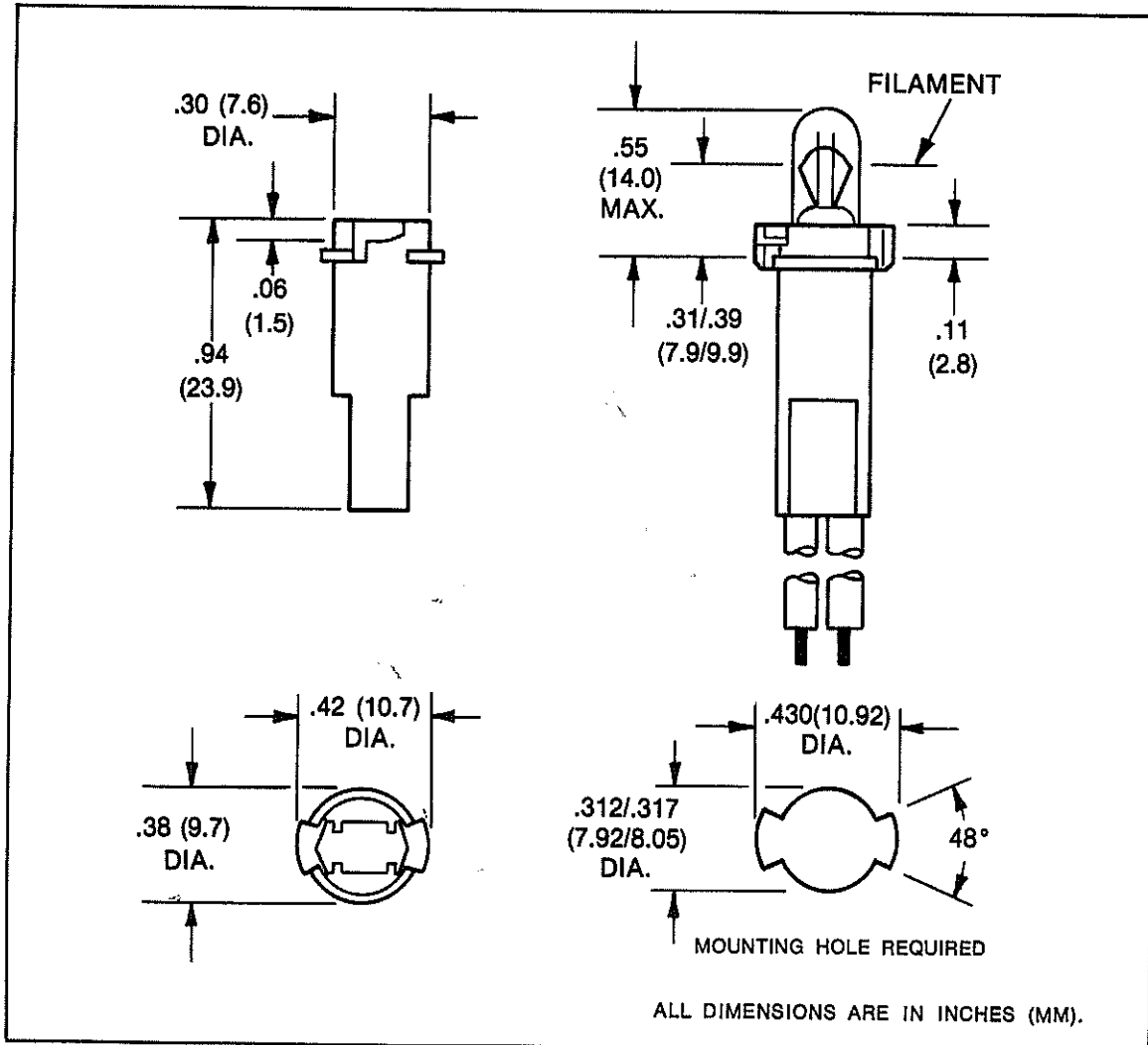
**Wire Leads:** No. 22 AWG, 4.4/4.8 (111.8/121.9) long, stripped .43/.57 (10.9/14.5)

**Housing:** White nylon

**Note:** Available with other leads and/or terminals on special order



### OUTLINE DIMENSIONS



RELAMPABLE